

WC FLUSHVALVE KIT

Mains Power

WC03-037

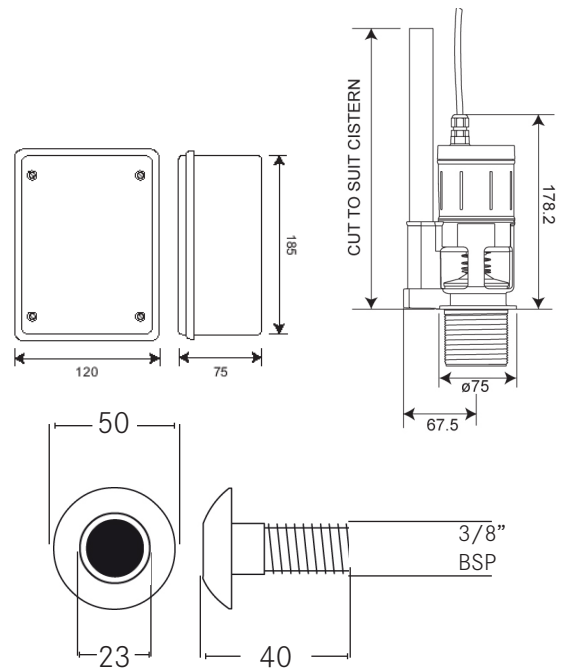
The DVS no-touch WC flushing system is an electronically operated drop valve which replaces the traditional syphon and delivers a measured volume of water from the cistern to the lavatory bowl.

PRODUCT NUMBER

WC03-037 WC Flushvalve Kit - Low Voltage Mains

TECHNICAL DATA

Flushvalve:	WC01-023	
Weight	1.05 kg	
Material	ABS Plastic	
Power supply	Through WC control box	
Outlet size	2"	
Internal overflow	Yes	
Type of operation	Sensor operation or Tactile button	
Type of mounting	WC flush valve	
Functional principle	Electronic self closing	
Failsafe close	Yes	
Control Box:	WC00-010	
Weight	1 kg	
Material	ABS Plastic	
Run Times	0.25 - 6.75 seconds	
Power source	Mains	
IP rating	54	
Amps	0.07A (MAX)	
Frequency	50Hz	
Voltage	6V DC	
Wave On Sensor:	AC02-009	
Material	Sensor - ABS	Bezel - Chromed brass
Weight	0.1 kg	
Overall dimensions	40mm (L) x Ø50mm	
Thread diameter	Ø 3/8" BSP	
Type of mounting	Wall mounted (Ø17mm drill hole required)	
Operation type	A.I.R (Active Infrared) touch-free	
Cable length	3m	
Adjustable settings	Dictated by control box used	



ALL DIMENSIONS IN MM

2018-11-23, Dart Valley Systems



DVS
Dart Valley Systems
a FRANKE company