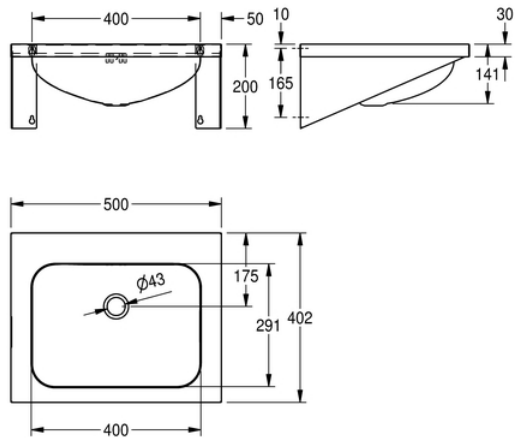


WASH BASIN: WT500A

WT500A | 2000090021

ARTICLE GROUP : **WT500A** | ARTICLE FAMILY : **Wash basins** | PRODUCT GROUP : **Wash basins** | MODEL RANGE : **ANIMA**



Single wash basin for wall mounting, stainless steel, surface satin finished, material thickness 1 mm, seamless welded bowl with diameter 500x400x200 mm, rectangular shape, 70 mm tap ledge, with overflow, 1 1/4" plug waste, drainage rewards centric, prewelded mounting brackets, incl. screws and dowels.

TECHNICAL DATA

bowl position	center
bowl - bowl depth	141.00 mm
bowl finish	satin finished
bowl - depth	291.00 mm
bowl shape	rectangle
bowl - width	400.00 mm
colour	no colour
gross weight	4.20 kg
material	stainless steel
material code	1.4301 Chrome Nickel steel V2A
material thickness	1.00 mm
net weight	3.90 kg
number of bowls	1.0000000000000000E+00
outlet size	G 1/4 B
overall depth	402.00 mm
overall height	200.00 mm
overall width	500.00 mm
overflow	yes
overflow position	back
rear upstand	no
siphon included	no
splash back	optional
surface finish	satin finished
number of tap holes	0

tap ledge	yes
type of mounting	wall mounting
type of waste kit	plug waste
waste hole position	centre back
waste hole projection	175.00 mm
waste kit included	yes