

A modern, square shower head with a grid pattern, mounted on a vertical metal pole. The shower head is positioned against a wall of vertical wooden slats. The pole is silver and extends from the bottom of the frame to the shower head. The shower head is mounted on the pole with a horizontal arm.

Zeppa

Zeppa

Zeppa is a family of extremely slim architectural LED luminaires offering striking design and exceptional performance.



Key advantages

- High quality sustainable design
- Exceptional thermal performance, increasing efficiency and life of LEDs
- Modular future-proof design
- Flexible optical, drive and control options for tailored performance
- Speedy installation and maintenance

Applications

 Public realm

 Rail

 Car parks

 Road

 Residential



Versatile and Efficient



Sleek and contemporary, Zeppa's unmatched style befits a versatile range of applications for the efficient and effective illumination of residential roads and major traffic routes.

Featuring adaptable technology including best-in-class LEDs, Zeppa offers a choice of optical control and drive currents for tailored lighting performance. This provides a perfect balance between light output, energy efficiency and lamp life. Options include one, two or three light engines, three optical distributions and two colour temperatures (4000K and 3000K).

A range of complementary bracket options are additionally available, please see dwwindsor.com for further information.



Zeppa Mini



Zeppa 2



Zeppa 3



It's not just Zeppa's striking design that will leave an impression. Exceptional lighting performance, up to 121 lm/W and energy efficient, Zeppa will save up to 70% over traditional light sources.



Control

Area for lighting control options, for increased energy savings, including Photocell, Nema socket and leading Central Management Systems (CMS)

Future-proof and easy maintenance

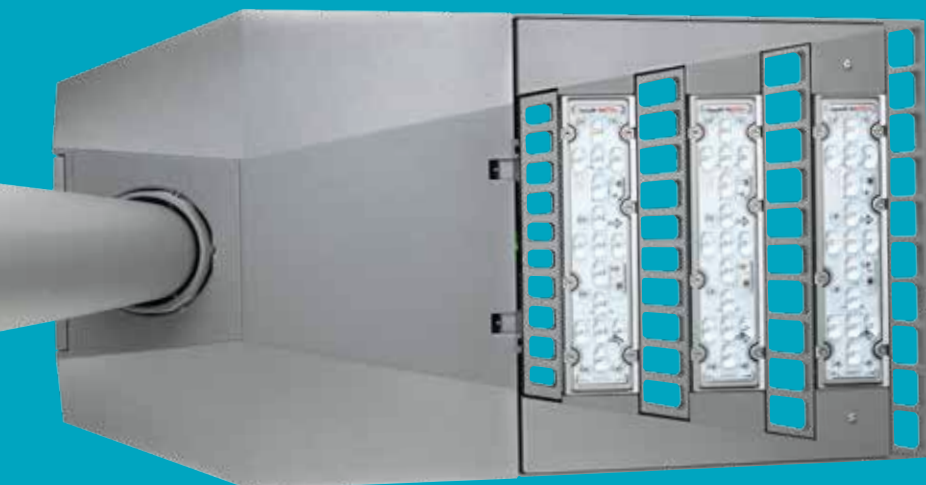
Quick release hinged opening with safety catch. Maintenance and upgrades can be realised in a matter of seconds, with tool-less entry, maximising productivity during road closures

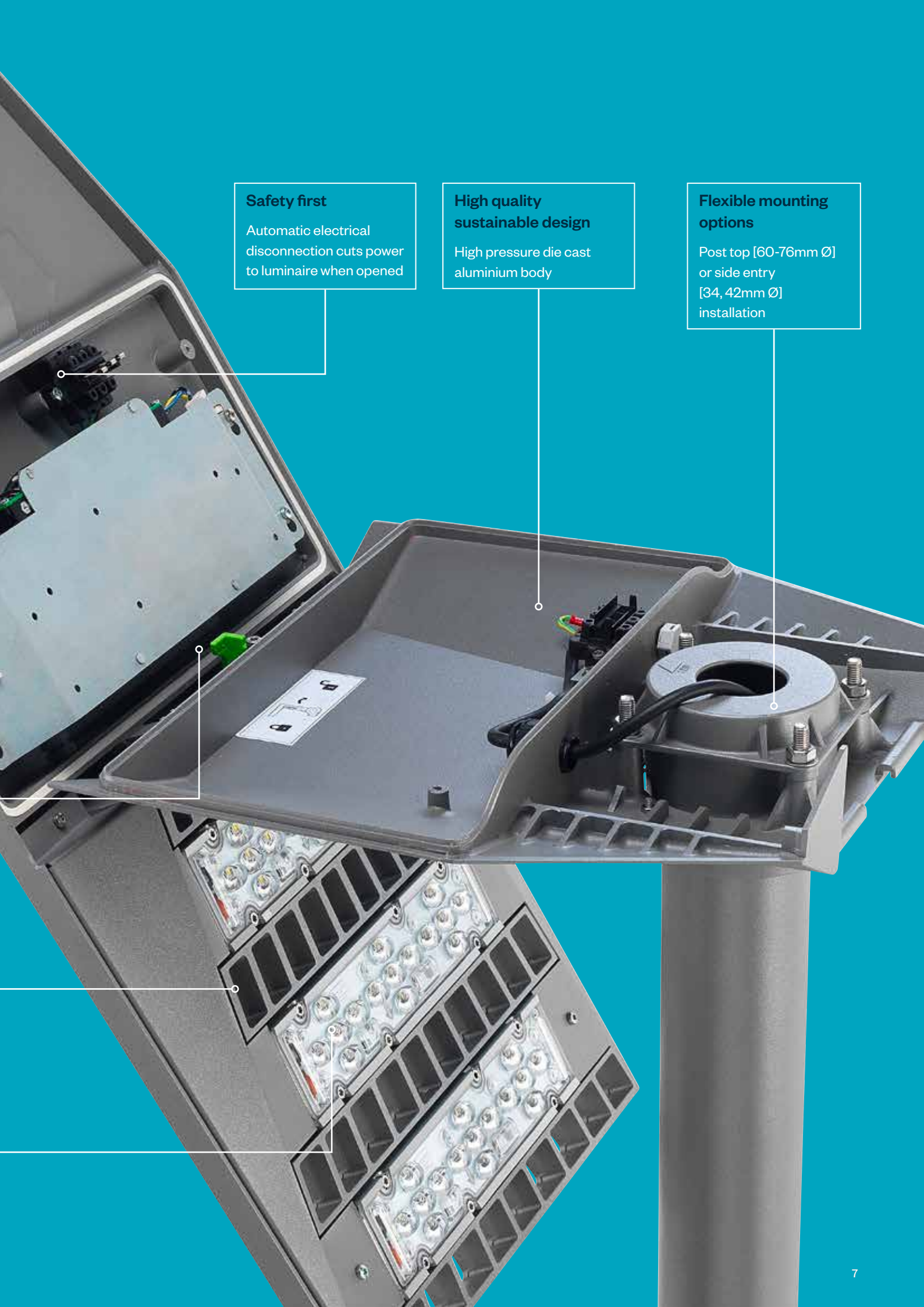
Cool

Key to long life is good thermal performance. Zeppa offers exceptional thermal capabilities with air vents between each LED module

Performance

High performance LUXEON TX LED modules providing class leading efficacy up to 121lm/W





Safety first
Automatic electrical disconnection cuts power to luminaire when opened

High quality sustainable design
High pressure die cast aluminium body

Flexible mounting options
Post top [60-76mm Ø]
or side entry [34, 42mm Ø]
installation

With the future in mind, the Zeppa family of luminaires has been engineered to provide pain-free installation, maintenance and upgrade. Access is immediate and straight forward.

Offering a tool-less lift-off and automatic electrical disconnect facility, the complete optical and electrical assembly can be replaced in a matter of seconds maximising productivity during road closures.



Speedy Installation and Maintenance



Tool-free release latch for convenient and speedy access



Hinged opening



Luminaire in full open position



Simple effective safety catch to lock main body of luminaire to head



Lift-off facility, with automatic electrical disconnect



Quick release gear tray



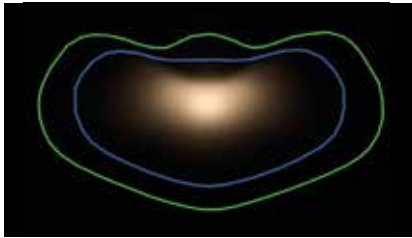
Speedy LED driver replacement



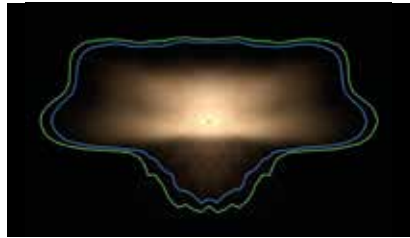
Performance

Optical distribution

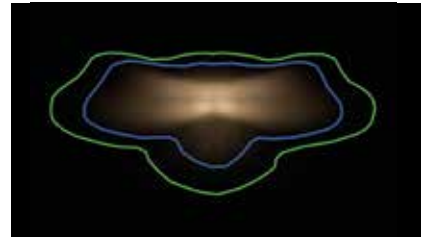
Road



Residential



M Class



Zeppa: Total Luminaire Lumen Output Range

	Drive Currents	Total Luminaire Wattage	3000K	4000K
Zeppa Mini 1 5 LEDs	350, 500, 750	7W – 15W	625 – 1100lm	680 – 1200lm
Zeppa Mini 2 10 LEDs	350, 500, 750	12W – 24W	1220 – 2100lm	1300 – 2300lm
Zeppa Mini 3 15 LEDs	350, 500, 750	17W – 35W	1800 – 3300lm	2000 – 3500lm

Note: The data shown in this table provides the range of options available for each product type. Due to constant design and development improvements to our product range, this data is subject to change. For the full details of options available, please refer to the photometric data available at dwwindsor.com

Zeppa Mini: Total Luminaire Lumen Output Range

	Drive Currents	Total Luminaire Wattage	3000K	4000K
Zeppa 1 15 LEDs	350, 500, 750, 1000mA	17W – 54W	1700 – 4300lm	2000 – 5300lm
Zeppa 2 30 LEDs	350, 500, 750, 1000mA	35W – 100W	3400 – 8200lm	4200 – 10000lm
Zeppa 3 45 LEDs	350, 500, 750, 1000mA	52W – 144W	5200 – 12250lm	6300 – 15000lm

Note: The data shown in this table provides the range of options available for each product type. Due to constant design and development improvements to our product range, this data is subject to change. For the full details of options available, please refer to the photometric data available at dwwindsor.com

Mounting



Side Entry

Post Top

Zeppa Mini

Proving that good things do come in small packages, Zeppa Mini is optimised to provide lower lumen packages in a more compact form. Zeppa Mini; the perfect solution for residential and footpath lighting applications.



IP66 | IK09 | CLASS I / CLASS II

Features:

- Strikingly slim profile
- Lumen output: 625lm to 14940lm (7W to 144W)
- Class-leading efficacy, up to 121lm/W
- Speedy, straight forward, low cost installation and maintenance
- Future-proof upgradability

Options:

Zeppa 3 (three light engines) For mounting at 8-12 metres

Zeppa 2 (two light engines) For mounting at 6-10 metres

Zeppa 1 (one light engine) For mounting at 4-6 metres

Zeppa Mini (one light engine) For mounting at 4-6 metres

Optical control:

Road

Residential

M Class

Optional obtrusive light shield(s)

Light Source:

LEDs: LUXEON TX

Number of LEDs: 5, 10, 15, 30 or 45

L70 lifetime prediction:

In excess of 100,000 hours

Colour temperature:

4000K (neutral white) or 3000K (warm white)

Colour rendering index:

>70Ra (4000K)

>80Ra (3000K)

Luminaire efficacy:

Zeppa: Up to 121 lm/W

Zeppa Mini: Up to 117 lm/W

Drive current:

Zeppa: 350, 500, 700 & 1000mA

Zeppa Mini: 350, 500, & 700mA

Glare rating:

G3-G4

Mounting:

Post top [60-76mm Ø] or side entry [34, 42mm Ø] installation

Switching and control:

Switch: On/off through conventional PEC; miniature or Nema

Dim: Factory set dimmed / customer specified dimming

CMS: Compatible with all available CMS systems

Colours:

RAL 9005 Textured Black

DB 703 Textured Metallic Dark Grey

RAL 7046 Grey

RAL 7035 Light Grey

RAL 9016 Textured White

Other RAL colours available on special request

Materials:

Body: High pressure die cast aluminium

Seals: Silicone

Finish: Fine texture polyester powder coat

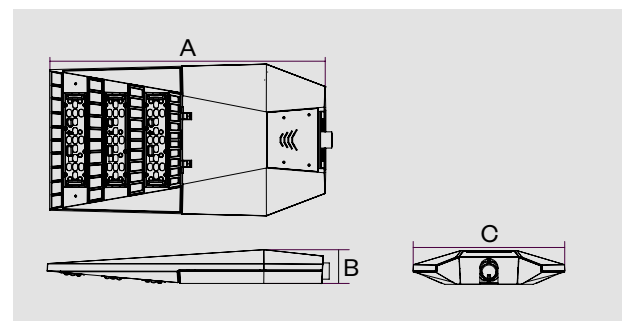
Installation and maintenance:

Operational temperature range: -45°C to +50°C

Tool-less quick-release gear tray

Automatic electrical disconnect

UMSUG codes available on our website



	Dimensions (mm)			Weight (kg)	Windage m ²
	A	B	C		
Zeppa Mini	483	88	392	7.4	0.03m ²
Zeppa 1	712	88	392	10.3	0.05m ²
Zeppa 2	712	88	392	10.9	0.05m ²
Zeppa 3	712	88	392	11.6	0.05m ²

Zeppa® is a registered design

Due to continuous product development the details within this brochure are subject to change at any time, please contact us for the most up-to-date information or visit: www.dwwindsor.com

DW Windsor

Pindar Road, Hoddesdon, Hertfordshire, EN11 0DX

T: +44(0) 1992 474600 | E: info@dwwindsor.com

dwwindsor.com

