

# Adepar® JS

Self adhesive, partial-bonded  
underlayer for inaccessible roofs



▶ Highly resistant to cracking and puncturing due to the SBS elastomeric bitumen binder and its composite reinforcement

▶ Reliable partial bonding due to factory-applied adhesive strips

## Packaging

Roll: 10m x 1m ▪ Weight: 36 kg Poids : 36 kg

## Main uses

- Waterproofing of non-accessible roofs.
- Suitable systems: first layer in the systems Adepar JS + Paradiene 30.1 GS or + Paradiene 40.1 GS.

# Adepar<sup>®</sup> JS

## Description

- SBS elastomeric bitumen.
- Polyester composite reinforcement: 140g/m<sup>2</sup>.
- Torchable top face with macro-perforated fusible film and self-adhesive side overlapping (protected by siliconised peel-off film).
- Underfacing with self-adhesive edges and strips, for partial bonding (protected by siliconised peel-off film).
- Thickness: mini 2.5mm.
- Store upright.

## Performances

- SBS binder complying with UEAtc Directives.
  - ▶ Finished product (average values):
  - ▶ Tensile strength:  
L x T ≥ 500 x 350 N/5cm;
  - ▶ Elongation at first break:  
L x T ≥ 25 x 30%;
  - ▶ Cold flexibility: ≤ -20°C;
  - ▶ Static puncture resistance: ≥ 15kg;
  - ▶ Dynamic puncture resistance: ≥ 10J;
  - ▶ Nail tearing strength:  
L x T ≥ 200 x 170N.

## Application

- Two-layer semi-adhered waterproofing system:
  - ▶ On concrete and wooden substrates: old waterproofing, polyurethane surfaced with bitumen/glass fibre or with composite fibres, expanded polystyrene (EM Class);
  - ▶ On concrete slab: 0% slope allowed;
  - ▶ On wooden boarding: slope ≥ 1%;
  - ▶ On steel deck: slope ≥ 3%.

Refer to the Adepar JS Technical Agrément.

## Complementary information

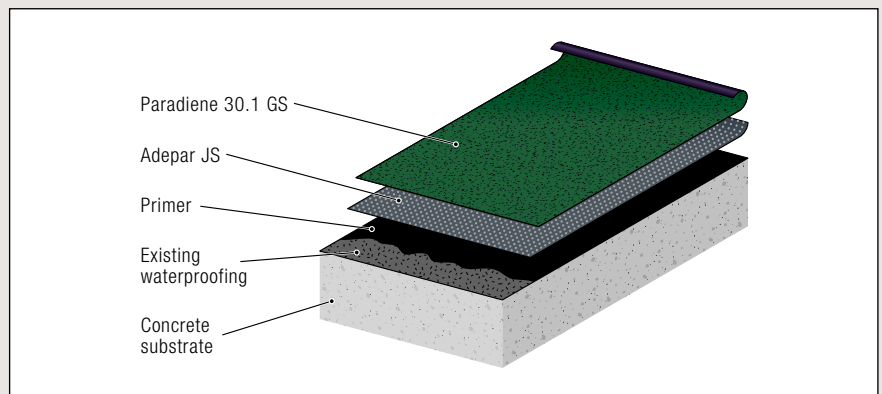
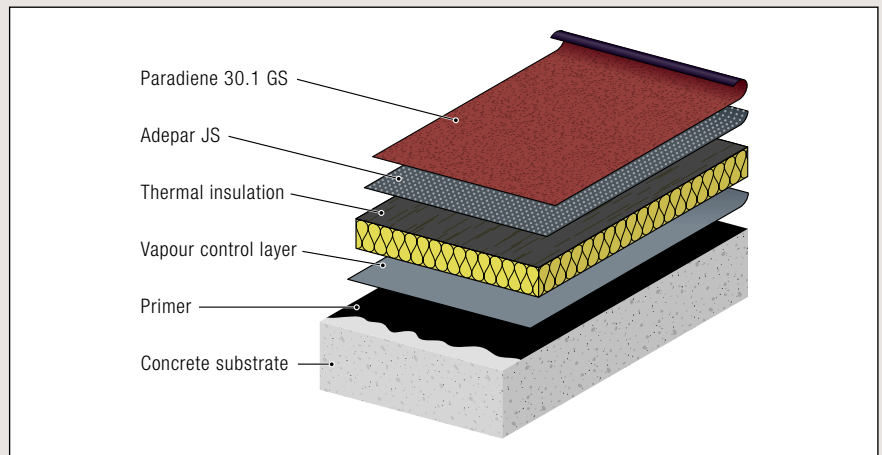
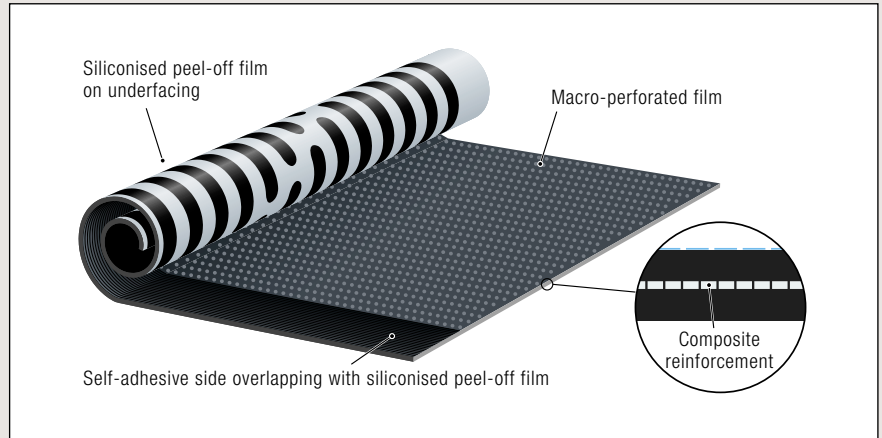
- Adepar JS French Technical Agrément.

## Customs nomenclature

- 68.07.10.19.0.00.0.P

## Safety

Adepar JS is not rated dangerous (for the applications described in this document).



This document is only a guide. Siplast-Icopal reserves the right to change the composition and fixing recommendations of products as a result of evolution of knowledge and technology.

Langley Waterproofing Systems Limited  
Bishop Crewe House, North Street, Daventry, Northants. NN11 4GH

Tel: 01327 704778  
Fax: 01327 704845  
Web: [www.langley.co.uk](http://www.langley.co.uk)

