



# FIRE PRODUCTS



Reynaers Aluminium has launched a complete range of 30 minute and 60 minute fire resistant aluminium systems, compliant with European standards. The fire product range offers innovative fire resistant window, door and curtain walling solutions, based on the popular CS 77 window and CW 50 curtain wall products. The new fire products give a visual match to Reynaers' non fire rated products and can be easily integrated with other Reynaers products.

The products work by sub-dividing buildings into various fire resistant zones that are interconnected by fire resistant escape routes and exits. In summary the fire products offer:

- a safe escape route for a time frame of either 30 or 60 minutes (depending on the system used), allowing safe evacuation
- limited temperature increase (30 or 60 minutes) protecting people in other areas of the building
- restricted fire spread, gaining valuable time for the arrival of the emergency services
- increased protection for surrounding buildings
- a certified and approved network of UK suppliers ensuring optimum performance and safety
- much faster lead times to site than steel products - Reynaers aluminium fire products will typically save 6-8 weeks from order to delivery when compared to steel



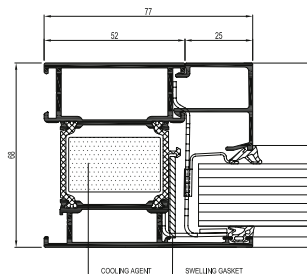
# CS 77-FP

The CS 77 30 and 60 minute solutions were developed based on the existing CS 77 profiles and accessories for windows and doors and were tested in an optimised European test and approval program. The fire resistant time span is achieved by inserting a special cooling material into the profile chambers and by using self-adhesive and water-resistant swelling gaskets. These gaskets do not need to be sealed, reducing fabrication time of the profiles and saving costs.

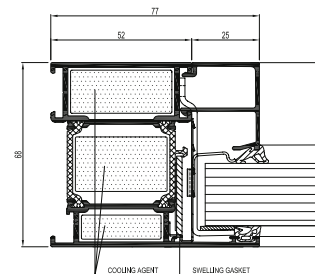
The CS 77 fire resistant range is available as outward opening single and double doors, panic doors, combined fixed window elements as well as glazed partition walls. This extensive range of configurations offers one of the largest ranges of options and combinations for architects to work with. Furthermore a large choice of accessories and locking devices is available.

## CS 77-FP GLAZED PARTITION WALLS / FIXED WINDOW ELEMENTS

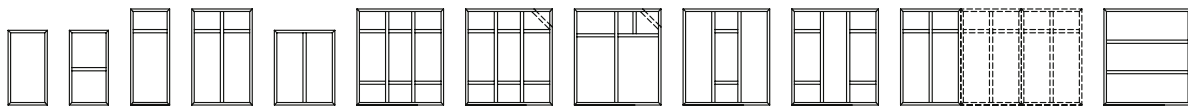
### EI30



### EI60

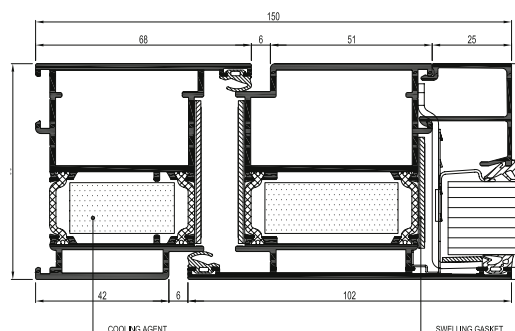


### Approved configurations

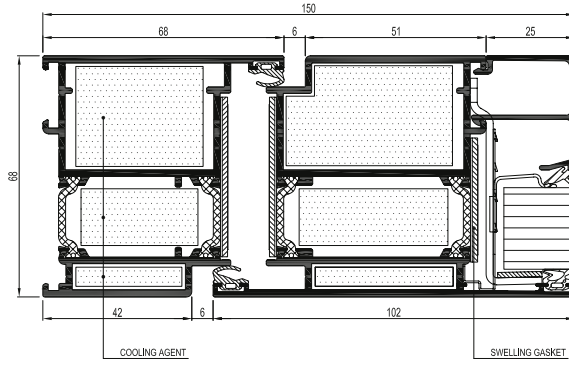


## CS 77-FP DOORS

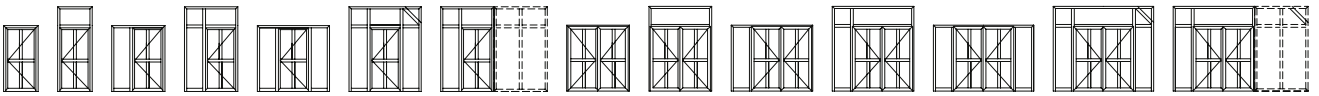
### EI30



**E160**



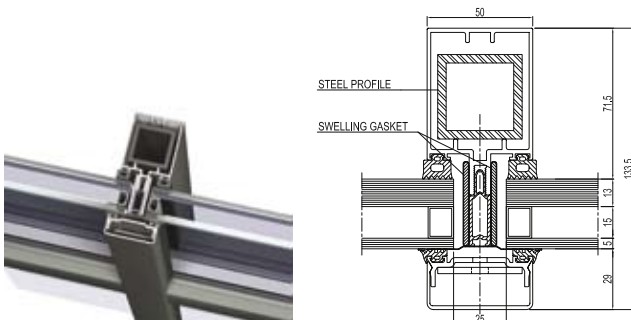
**Approved configurations**



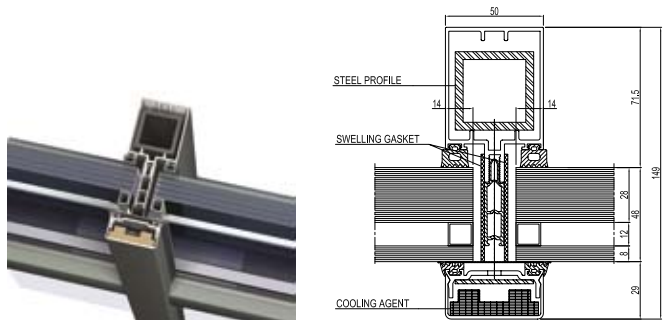
**CW 50-FP**

CW 50-FP EI30 offers a 30 minute fire resistant time span which is obtained by inserting steel tubes in the mullions and by using fire resistant swelling gaskets. With CW 50-FP EI60 the time factor extends from 30 to 60 minutes by adding a minimal cooling agent. The new fire products give a visual match to Reynaers' non fire rated products and can be easily integrated with other Reynaers products.

**EI30**



**EI60**



## TECHNICAL CHARACTERISTICS

	CS 77-FP EI30	CS 77-FP EI60	CW 50-FP EI30	CW 50-FP EI60
Rebate height	25 mm	25 mm	20 mm	20 mm
Glass thickness	from 15 mm to 51 mm	from 23 mm to 51 mm	33 mm	48 mm
Glazing method	dry glazing with EPDM	dry glazing with EPDM	fixing by pressure plates	fixing by pressure plates
Fire resistance classification	EW30, E30, EI30	EI45, EW60, E60, EI60	EI15, EW30, E30, EI30	EW60, E60, EI60

## PERFORMANCE

All Reynaers fire resistant systems are tested in close cooperation with notified institutions across Europe. A special European test program was defined to certificate all the required configurations.

	CS 77-FP EI30	CS 77-FP EI60	CW 50-FP EI30	CW 50-FP EI60
European testing standards	EN 1364-1 EN 1634-1	EN 1364-1 EN 1634-1	EN 1364-3	EN 1364-3
Classification standard	EN 13501-2	EN 13501-2	EN 13501-2	EN 13501-2

## REYNAERS FIRE PARTNERS

Reynaers fire products are only available from a Reynaers Fire Partner. They are based throughout the UK and are fully trained to manufacture Reynaers' fire products to the highest quality ensuring they meet the various standards as outlined above. By using this network of suppliers you are able to guarantee optimum performance and safety for your clients. Please call Reynaers on 0121 421 1999 to find out who your local supplier is or to request more information on any of the products in the Reynaers range.



To access contact details of all of the Reynaers Fire Partners in the UK go to [www.reynaers.co.uk](http://www.reynaers.co.uk)

Alternatively your local Reynaers Fire Partner is:

