

# Harmonica

## Harmonica-in-vinyl



The Harmonika-in-Vinyl Partition provides the most economical solution to sub-division of areas. Partitions are custom made to your requirements. Room layouts can be altered with utmost speed and ease. The Partitions can be supplied either top hung or floor supported.

### Features and benefits

- Quick and easy to operate
- Supplied either top hung or floor supported
- All installations are made to measure
- Virtually no maintenance required
- 4 way meeting, 90° junctions, or T junctions are possible
- Flexible and easily cleaned
- 15, 27 & 35 dB acoustic values
- Pendant pulls for high installations
- Provides the most economical solution to sub-division

### Construction

The Partition comprises an internal steel frame, upholstered with a high quality heavy duty polyvinyl cloth.

The frame consists of a horizontal series of 220mm x 76mm x 1.5mm steel plates, connected vertically with 7mm diameter steel rods. The steel used in manufacture is hot dip galvanized and distortion resistant. The frame is connected to roller assemblies which glide smoothly within a ceiling track. The frame is upholstered with a fabric-backed polyvinyl cloth which is flexible and easily cleaned. The cloth has a weight of 2600gms per square metre. To increase acoustic ratings, layers of sound absorbing materials are introduced within the partition e.g. Sheet metal, felt and dense rubberised acoustic mat. The support track, vertical-closing profiles and door furniture are finished in satin anodised aluminium.

### Appearance

The durable vinyl is available in a choice of 12 colours. A carpet finish is also possible with a choice of 11 colours.

### Fire performance

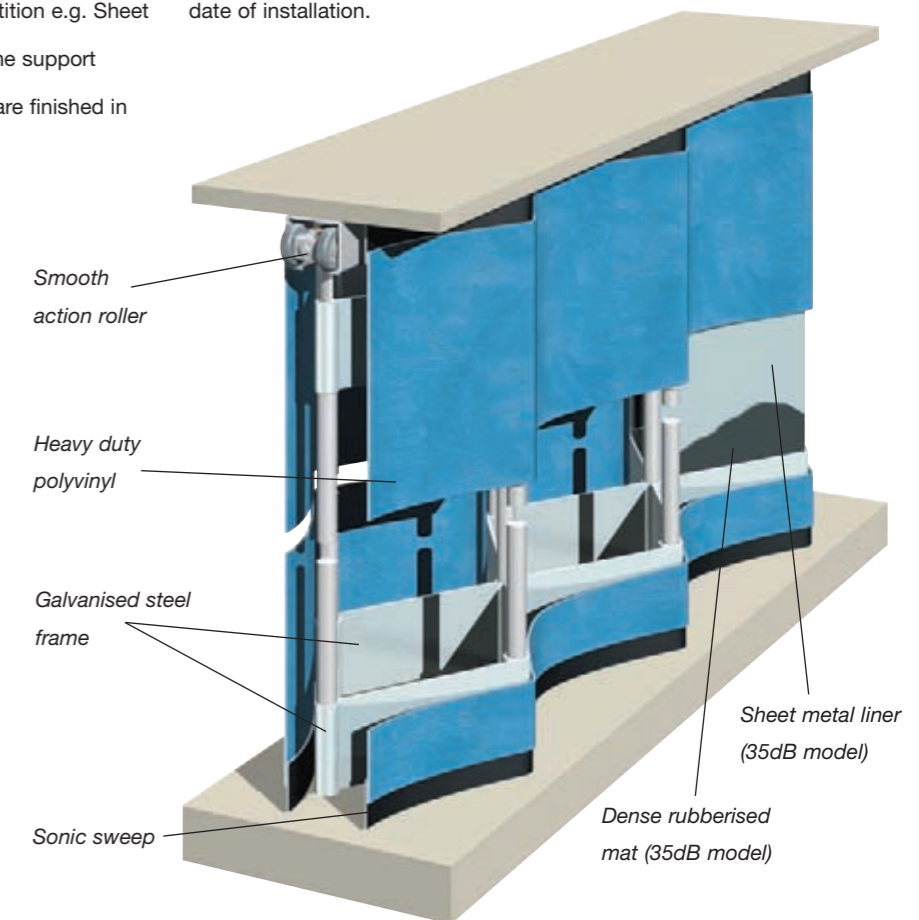
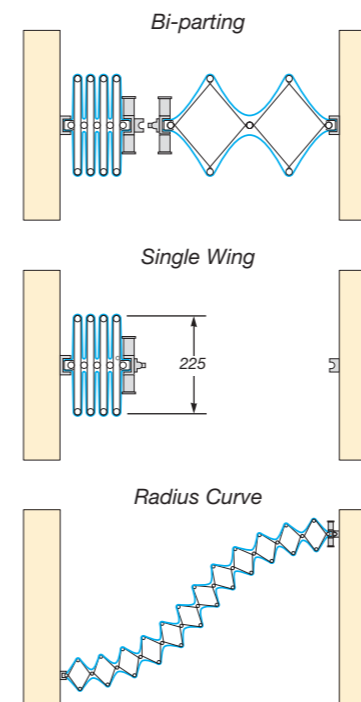
The Partition can be finished with a flame-retardant polyvinyl.

### Installation

Becker offer a full nationwide installation service.

### Guarantee

All products are guaranteed against defects in materials or workmanship, for a period of 12 months from the date of installation.



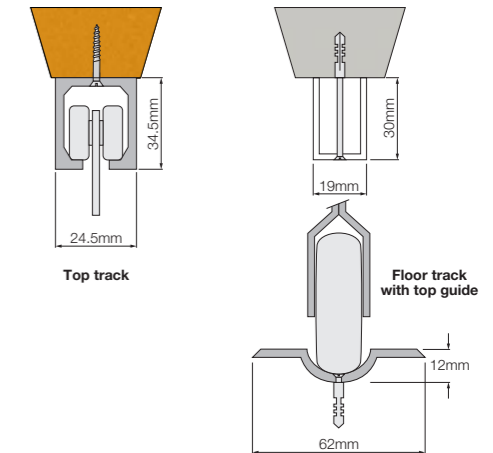
# Harmonica

## Harmonica-in-wood



### Product Selector

Type	Acoustic (RIW)	Weight (kg/m <sup>2</sup> )	Max Leaf Width (mm)	Max Height (mm)	Stack Width (max mm)	Stack Depth (approx)	
Harmonica-in-Vinyl	15/27/35	13/18/20	5000	4200	250	15-25% of length	
Harmonica-in-Wood	25/29/36/38	18/20/22/35	5000	4200	440	20-25% of length	



### Construction

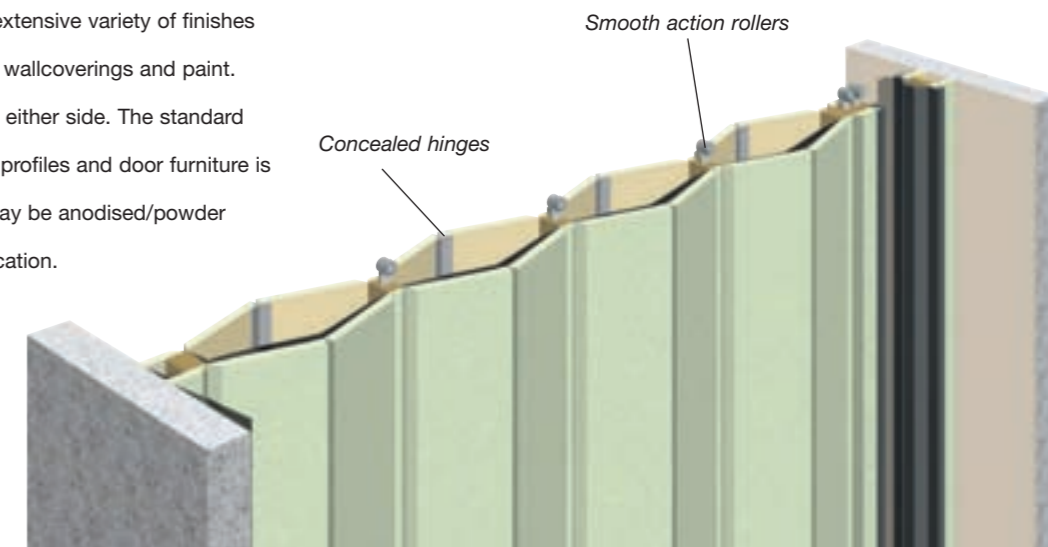
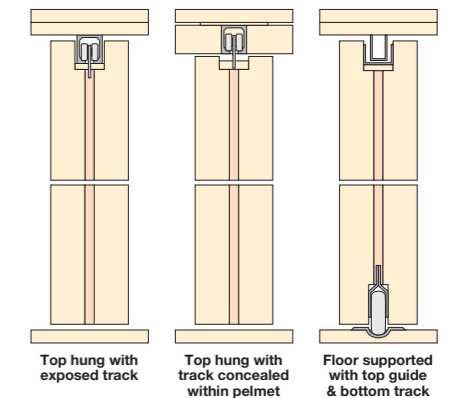
The Harmonica-in-Wood is a double shell accordion sliding/folding partition comprising an internal steel/timber lattice framework faced with 13mm high density particle board panels. No hinges are visible on the face of the partition. Durable 'sweeps' ensure acoustic sealing at the head and base. Layers of mineral wool and leaded rubber are introduced within the partition to increase the acoustic performance. The standard door furniture comprises a retracting 'claw' lock/latch set to ensure compression when closed.

### Appearance

The Harmonica-in-Wood offers an extensive variety of finishes including wood veneers, laminates, wallcoverings and paint. Different finishes may be applied to either side. The standard finish to ceiling track, leading edge profiles and door furniture is satin anodised aluminium. These may be anodised/powder coated to customers colour specification.

### Fire performance

Class 'O' or Class '1' spread of flame options available.



The Harmonica-in-Wood is a well proven flexible divider offering a high degree of sound reduction. The layout of any area can be altered quickly and easily. It can be top hung without the need for floor track or can be floor supported where, for structural or economic reasons, the provision of overhead support is impractical. Harmonica-in-Wood is the result of extensive technical development and is designed for constant use over many years.

### Features and benefits

- Quick and simple to operate
- Extensive variety of finishes
- Double shell accordion sliding/folding partition
- Six levels of sound reduction
- Available top hung or floor supported
- No visible hinges
- Durable sweeps ensure acoustic sealing
- A folding sound barrier
- Available single wing, bi-parting or with floating sections