



# Versiplan



## Operation

The layout of any area can be altered quickly and easily. The wall will start to fold with a single movement of the pull handle. The wall completely folded presents a shallow stack to one or both sides of the opening.

## Construction

The Versiplan is a 110mm thick double shell 'plan style' sliding/folding partition. The construction comprises an internal steel and timber framework faced with 13mm high density particle board panels. Durable 'sweeps' ensure acoustic sealing at the head and base. Internally the introduction of mineral wool and joint seals increase acoustic performance.

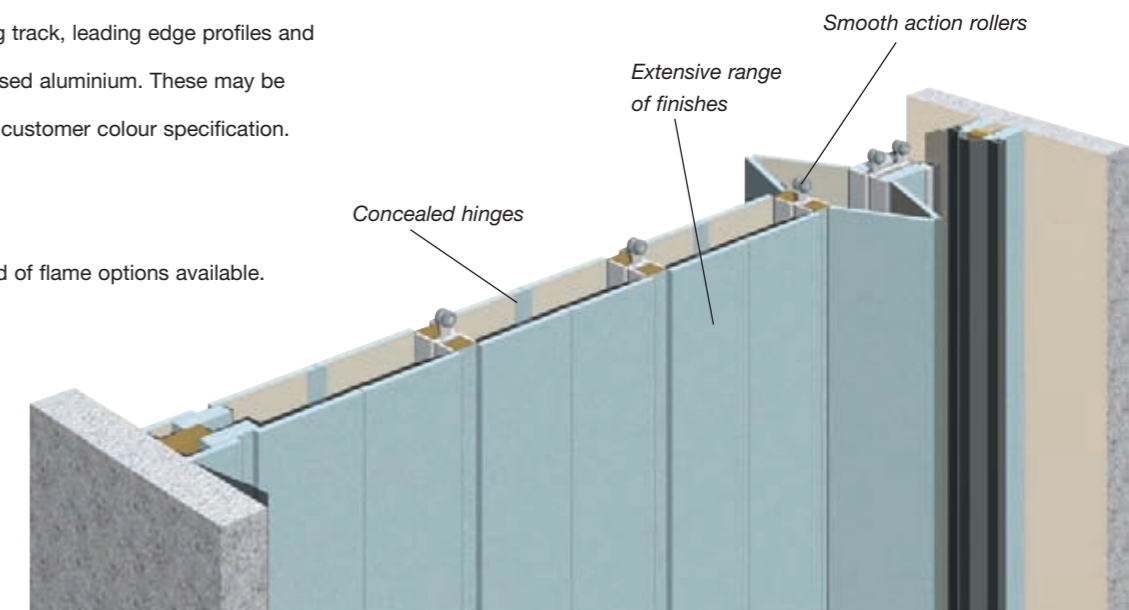
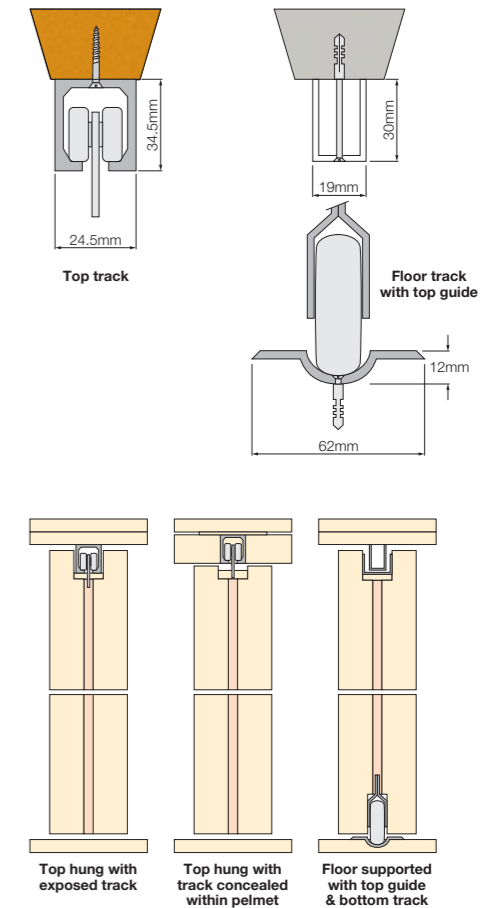
Versiplan partitions are custom made. The modular panels are, therefore, of equal size.

## Appearance

The Versiplan offers an extensive variety of finishes including wood veneers, melamine, laminates, wallcoverings and paint. Different finishes may be applied to either side of the partition. The standard finish to ceiling track, leading edge profiles and door furniture, is satin anodised aluminium. These may be anodised/powder coated to customer colour specification.

## Fire performance

Class 'O' or Class '1" spread of flame options available.



The versiplan is a high quality sliding/folding partition, which in the closed position presents a flat panelled elevation entirely free of visible hinges.

The system is available in four levels of acoustic insulation from 27dB to 36dB.

It can be top hung without the need of floor track or alternatively floor supported where for structural or economic reasons the provision of overhead support is impractical.

## Features and benefits

- Simple smooth operation
- Available top hung or floor supported
- The system can fold back to one or both sides of the opening
- Available in 4 levels of sound reduction
- A wide selection of finishes
- The system presents a flat elevation when extended.
- Euro cylinder lock is fitted as standard
- Track can be surface mounted or recessed.

## Product Selector

Type	Acoustic (RW)	Max Leaf Width (mm)	Max Height (mm)	Stack Width (max mm)	Stack Depth (approx)	Weight (kg/m <sup>2</sup> )
Versiplan	27/31/33/36	25/26/27/30	5000	4200	440	20-25%