

AGGREGATE INDUSTRIES

Architectural dressings

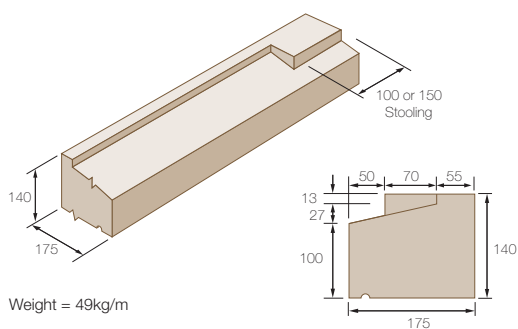
Cills and arches

Made to order

Stooled cills for timber windows to suit render finishes*.

Maximum length in 1 no. piece 1200mm

*manufactured to required lengths

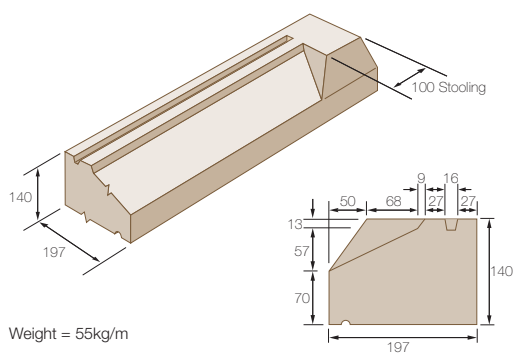


Weight = 49kg/m

Stooled cills for timber windows*.

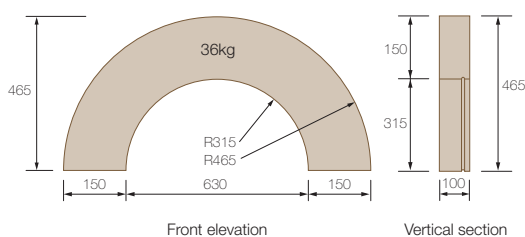
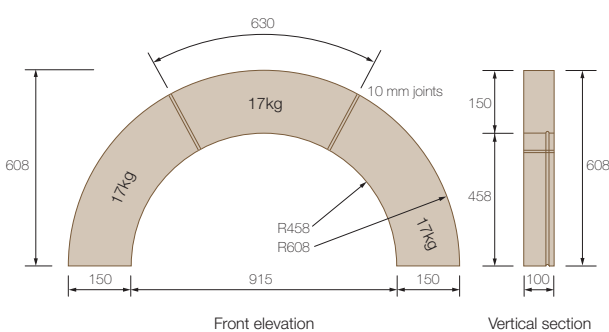
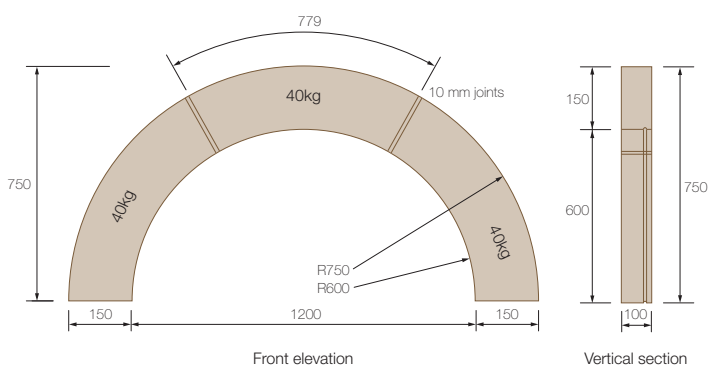
Maximum length in 1 no. piece 1200mm

*manufactured to required lengths



Weight = 55kg/m

Rectangular section arched lintels.



Made to order items

Cast stone components specially cast from existing moulds and/or in a non-standard shade.

Cills and arches

Made to order

Cast Stone architectural dressings provide a comprehensive range of beautifully crafted components for the detailing of stone, render and brick built buildings, both traditional and modern. Cast Stone may be confidently and successfully used with the Bradstone range of walling, brick, render, natural stone and other facing products.

Sustainability and local sourcing

Energy use: Aggregate Industries has committed to reduce carbon emissions by 20% by 2016 based on a 2012 base line.

Recyclable: 100% of the product can be recycled thus reducing the amount of material that is sent to landfill.

Manufacturing location: produced in the UK, with locally sourced materials under strict environmental and social legislation, for local supply.

Responsible sourcing: Aggregate Industries is the first company in the world to achieve a BES 6001:2008 Responsible Sourcing Certificate from BRE Global. Products are assessed on:

- quality management
- environmental management
- health and safety management
- greenhouse gas emissions
- minimising raw material usage
- labour practice
- biodiversity
- community engagement.

Key aggregate and recycled content

Components comprising naturally occurring locally sourced aggregates (to BS EN 12620:2002 except grading and silt contents for fine aggregates), Ordinary Portland Cement (to BS EN 197: Part 1:1996), Colouring pigments (to BS EN 12878:1999) and appropriate admixtures.

Generic green guide rating

There is currently no generic rating in the BRE green guide for cast stone walling.

Policies

Aggregate Industries' policies on the environment and community, health and safety and sustainable solutions for different product applications can be viewed on our website www.aggregate.com

Maintenance and cleaning

Aggregate Industries can supply on request advice on general maintenance. Aggregate Industries also offer an anti-graffiti coating service which will protect solid, absorbent and painted surfaces against graffiti attack and other contamination. It is perfect for concrete and brickwork. All enquiries are to be put through our sales office who have contact details and brochure information on the service.

COSHH data

Full COSHH data on the Bradstone range of is available on request. Please call the technical helpline on 01285 646808.

Technical support

Detailed guidance and assistance with the preparation of specification and use of our range of products is available through the sales offices. A free technical service is also available.

Call our technical services on 01285 646808.

North End, Ashton Keynes,
Wiltshire SN6 6QX

Tel: 01285 646884

Fax: 01285 646891

www.aggregate.com

