

Landscaping

Charcon HGV kerb



This high strength, anti-vehicular kerb has been specifically designed for busy traffic routes and all urban locations where it is essential to ensure that vehicles remain on the roadway.

- Designed to withstand HGV wheel impact
- Unique profile directs vehicles impacting on kerb back into the roadway
- Flat front face of kerb accepts directional signage
- Out-performs all other kerbs in withstanding vehicular impact damage
- To create extra stability, units are able to accept dowel bars.

Applications

HGV kerb is specifically designed for busy traffic routes and all urban locations where it is essential to ensure that vehicles remain on the roadway.

Manufacturing standard

HGV kerb is manufactured using a wet pressed process and is manufactured in accordance with and complies with all relevant sections of BS EN 1340: Concrete Kerb Units – requirements and test methods.

Aggregate Industries fully operates an accredited Quality Assurance scheme, certified to BS EN 9001:2008 which is independently and regularly assessed by BSI (British Standards Institution). All Aggregate Industries manufacturing sites are also certified to BS EN 14001 Environmental Management Systems.

Performance with slip resistance

Unpolished slip resistance values, when tested in accordance with BS EN 1340, are available on request. All Aggregate Industries kerb units are classified as having a low potential for slip.

Polished slip resistance values can be provided on request.

Complementary products

Designed for use with British Standard kerb.



Colour swatch



1. Grey

HGV Kerb

Dimensions (mm)	Main unit	Half unit	Radius unit*	Dropper unit (types A&B)^
Length	1000	500	Various	1000
Height	415	415	415	415 318
Width (top/base)	215/310	215/310	215/310	170/215
Weight (approx. kg)	220	110	Varies	Varies
Colour available	Grey	Grey	Grey	Grey

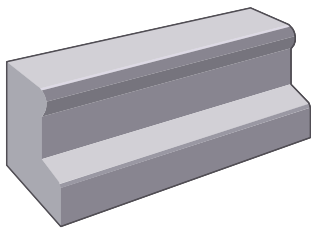
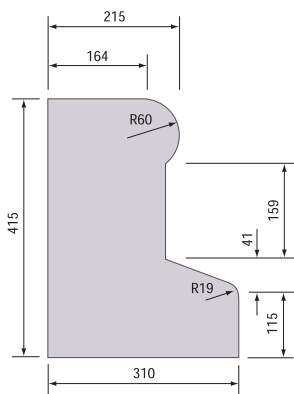


Q10. For NBS clauses, refer to Aggregate Industries technical services

*Radius units: available in 36/12, 11/7, 6/4.5, 3, 2 and 1.5 metre external radius versions, plus 36/12, 11/7, 6/4.5 and 3 metre internal radius versions.
 ^Transition units: left hand and right hand versions, types A and B are both required to create transition from HGV kerb to British Standard kerb 125x255mm HB2.
 Quadrant sizes available: 415x310x90°, 415x310x60°, 415x310x45°.
 Internal angle 90° angle.
 Holes to receive dowel bars available to order.

Charcon HGV kerb

Main unit

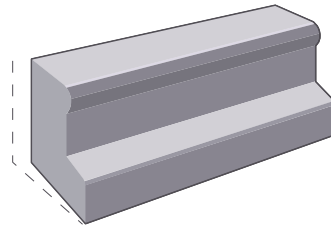


External radius units

Radius unit designation	Dimension X	Dimension Y
36/12	958mm	975mm
11/7	940mm	975mm
6/4.5	916mm	975mm
3	802mm	672mm
2	441mm	523mm
1.5	311mm	392mm

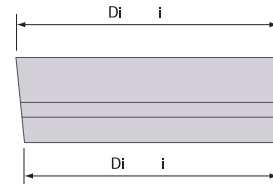


HGV kerb external radius plan view

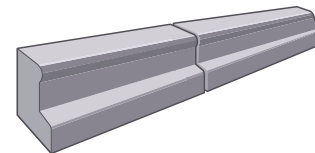


Internal radius units

Radius unit designation	Dimension X	Dimension Y
36/12	958mm	975mm
11/7	940mm	975mm
6/4.5	916mm	975mm
3	802mm	672mm



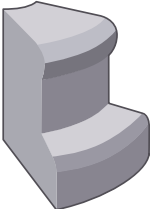
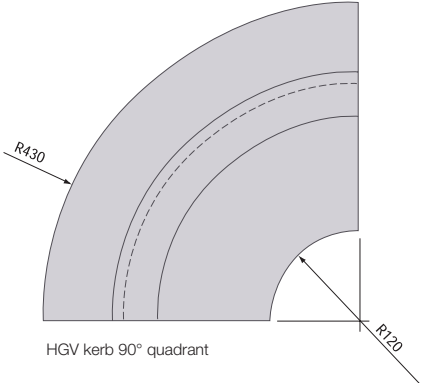
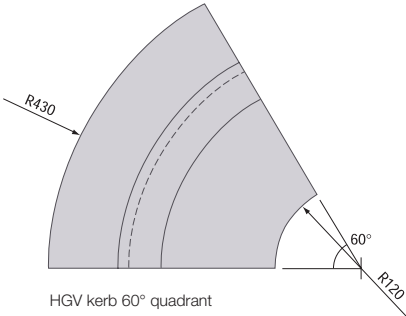
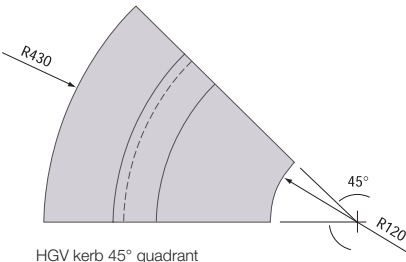
HGV kerb internal radius plan view



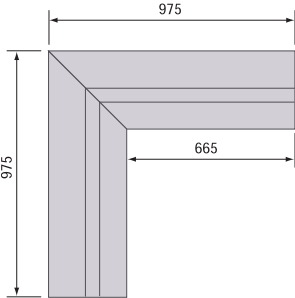
Transition units to HB2 kerb
(left hand version shown)

Charcon HGV kerb

Quadrants and angles



Quadrant



KGV kerb internal 90° angle plan view

Charcon HGV kerb

Design standards

All installations should be detailed and constructed in accordance with BS7533: Part 6.

HGV kerb

Sub-grade

As for adjoining paved areas.

Sub-base

Material: granular sub-base type 1.

Compacted depth: 150mm min.

Bedding and haunching

Material: concrete (grade ST1).

Minimum dimensions: (see Fig.2).

Note:

When using HGV with dowel holes, it is necessary to lay the kerbs on a fresh concrete kerb race and hammer the dowel bars into the race after unit is placed. The holes should then be grouted as specified by the engineer (see figs 3 and 4).

Detailing

Radii: Select from 36/12, 11/7, 6/4.5, 3, 2, or 1.5 metre radius units to form required radius kerb-line.

Angles: Select 45°, 60°, or 90° quadrants as required.

Transitions: Use 2-component transitions between HGV kerb and standard HB2 kerbing.

Haunching

All kerbing should normally be haunched with concrete to ensure full stability and support for adjacent paving and to help withstand occasional vehicular impact.

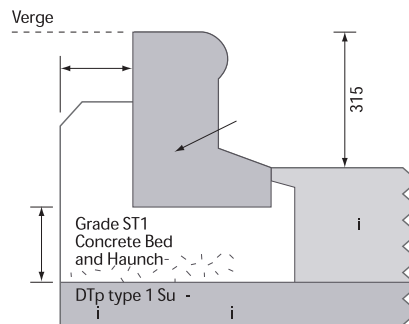


Fig 2. HGV Kerb: bedding/haunching

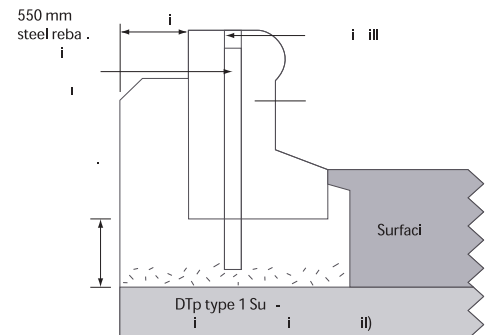


Fig 3. HGV Kerb: HGV with dowel bar detail – typical detail of new installation

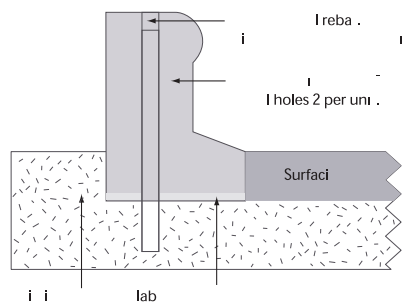


Fig 4. HGV Kerb: HGV with dowel bar – typical detail for use on bridge deck, etc.

Charcon HGV kerb

Sustainability and local sourcing

Energy use: Aggregate Industries is at the forefront of sustainability and has committed to reduce carbon emissions by 20% by 2016 based on a 2012 base line.

Recyclable: 100% of the product can be recycled thus reducing the amount of material that is sent to landfill.

Manufacturing location: Produced in the UK, with locally sourced materials under strict environmental and social legislation, for local supply.

Responsible sourcing: Aggregate Industries is the first company in the world to achieve a BES 6001:2008 Responsible Sourcing Certificate from BRE Global. Products are assessed on:

- quality management
- environmental management
- health and safety management
- greenhouse gas emissions
- minimising raw material usage
- labour practice
- biodiversity
- community engagement.

Key aggregates and recycled content

HGV kerb is manufactured using high quality, hard wearing granite aggregates

Generic green guide rating*

Not applicable.

Policies

Aggregate Industries' policies on the environment and community, health and safety and sustainable solutions for different product applications can be viewed on our website www.aggregate.com

Design and installation

For successful installation refer to BS 7533 Part 6. For specific design, installation and maintenance guidance, please contact our technical department on 01335 372222.

Maintenance and cleaning

Aggregate Industries can supply on request advice on specific stain removal and general maintenance, suitable cleaning products and referrals to specialist cleaning companies.

COSHH data

Full COSHH data on the Charcon range of products is available on request. Please call the technical helpline on 01335 372222.

Technical support

Detailed guidance and assistance with the preparation of specification of the Charcon range of hard landscaping products, including model clauses, is available through the sales office. A free technical design service is also available.

For further information, please refer to our technical services on 01335 372222.

*Ratings based upon generic green guide values (2009) supplied by BRE Global Ltd, www.thegreenguide.co.uk

Hulland Ward, Ashbourne,
Derbyshire DE6 3ET

Tel: 01335 372222

Fax: 01335 370074

www.aggregate.com



The information contained within this publication was accurate at time of production. However, Aggregate Industries reserves the right to introduce modifications or changes to detail at any time without notice. No charge is levied for this publication or advice therein, and accordingly the company, its employees and authorised agents can accept no liability whatsoever, either indirectly or directly arising from the use of its products in connection with any information or advice contained in this guide.