

LangGuard

Free-standing Handrail System



Component List

■ Post

48.3 O / D x 3mm thick, mild steel to BS EN 39: 2001.

Cleats, 60.3 O/D x 3mm thick.

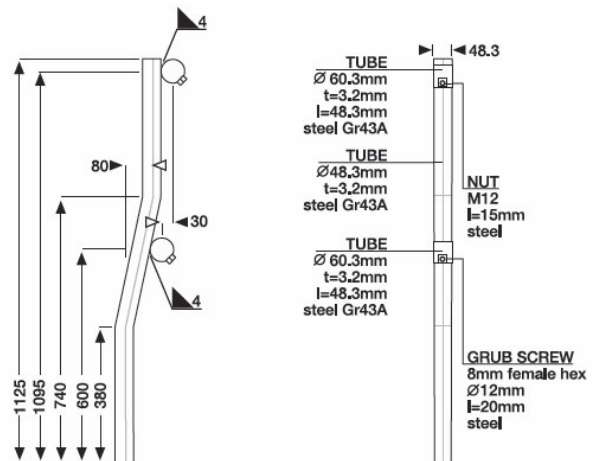
Galvanised to BS EN ISO 1461.

■ Base

800x150x20mm or 1200x150x20mm mild steel to BS EN 10137-3.

Spigot, 60.3 O / D x 3mm thick.

Galvanised to BS EN ISO 1461.



■ Tube

48.3 O / D x 4mm thick, mild steel to BS EN 39: 2001.

Galvanised to BS EN ISO 1461.

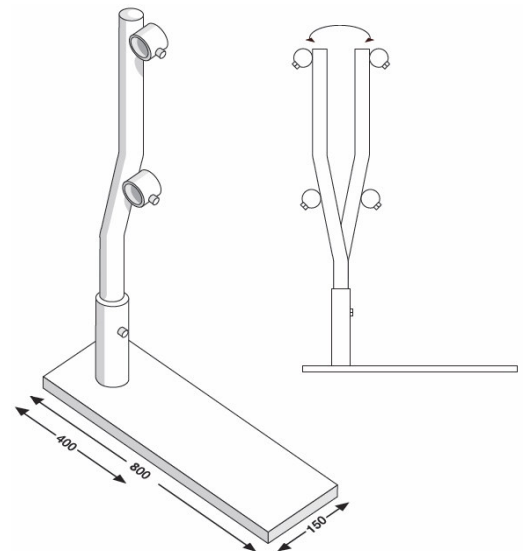
■ Ribbed Rubber Mat /EPDM Sponge

A) Self adhesive

B) Non degradable

C) Prevents heat build-up, up to 100°c

D) Technical data available upon request



Key Fittings & Fixings



Short Tee

WEIGHT: 0.62kg

CODE: 199610



Long Tee

WEIGHT: 1.10kg

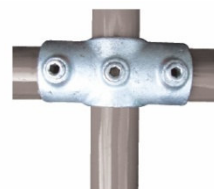
CODE: 199617



3 Way Through

WEIGHT: 0.85kg

CODE: 199635



2 Way Cross

WEIGHT: 0.86kg

CODE: 199636



90° 2 Way Elbow

WEIGHT: 0.77kg

CODE: 199607

Key Fittings & Fixings



Wall Plate

WEIGHT: 0.68kg
CODE: 199608



Base Plate

WEIGHT: 1.38kg
CODE: 199613



Plastic Stop End

WEIGHT: 0.015kg
CODE: 199605



**Retro Fit Clamp
On Tee Inline**

WEIGHT: 0.61kg
CODE: 199612



**Inline External
Tube Connector**

WEIGHT: 0.64kg
CODE: 199609

Health & Safety

■ LangGuard Permanent Freestanding Guardrail has been independently tested to:

BS EN 13374: 2004 Temporary Edge Protection For Class A Static Loads, Class B Dynamic Loads

Project No: 5718 / MM / TRA

Test Date: February 2008

Consultant: Alan Baggott

Testing Body: Loughborough University Enterprises Ltd. Wolfson School Of Mechanical and Manufacturing Engineering.

■ The System conforms to the following:

BS EN 13374: 2004 Temporary Edge Protection

BS 6399 part 2 Wind Loadings

HSG 33 Safety in Roof Work: 1998

HSE Working at Height Regulations: April 2005

Langley Waterproofing Systems Limited
Bishop Crewe House, North Street, Daventry, Northants. NN11 4GH

Tel: 01327 704778
Fax: 01327 704845
Web: www.langley.co.uk