



Creating healthy spaces



Loggialu[®]

Paro 0140

Sliding panel with aluminium blades

Loggialu® Paro 0140

Description

Loggialu® Paro 0140 combines the functionality of an efficient sun protection panel with the elegant appearance and aesthetic design of a high-quality modern concept. The frame ensures its stability, whilst the aluminium blades are incorporated into the side channels discreetly and without visible mounting.

Product

- Efficient sun protection with maximum light and comfortable viewing
- Similar view of the element from inside and outside
- Finished panels without visible connecting elements
- Panel in extruded aluminium with anodised or powder coated finish
- Low maintenance:
 - High quality and maintenance-free slide fittings
 - Powder or anodised aluminium finish, easy to clean
- Suitable as sliding or fixed panel
- Sliding systems:
 - Easy sliding
 - Symmetrical sliding
 - Telescopic sliding
 - Manual or motorised
- Possible sizes are dependent on the local wind load and regional legislation ^(*)
- Loggialu® Paro 0140 is available already assembled (custom manufacturing) or for self-assembly as a modular design (stock lengths, accessories and parts)

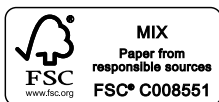
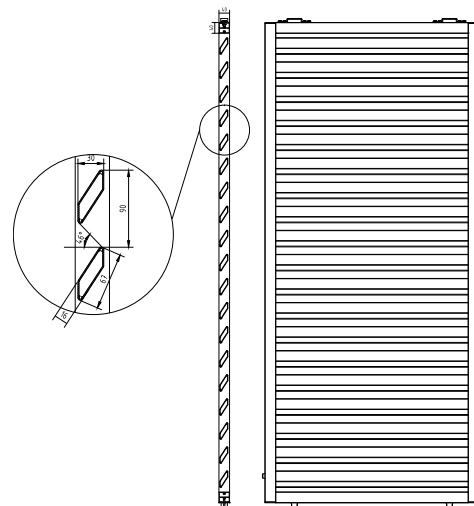
^(*) In consultation with our project team

Technical specifications

- Aluminium components
 - Aluminium extrusion, alloy EN AW-6063 T66
 - Anodised (20 micron) F1
 - Polyester powder coating RAL or Syntha Pulvin® colours (60-80 µ / 40 µ (UK))
- Blades
 - Blade pitch : 90 mm
 - Depth : 30 mm
 - Inclination : 33°
 - Extreme angle of sunlight AS: 46°
- Frame with a depth of 40 mm, suitable for common panel sizes and wind loads
- Depending on the height of the sliding panel, the horizontal frame profile (above and/or below) can be 70 mm high instead of 40 mm

Options

- Flexible lower guiding system Flexguide® (see website for more information)

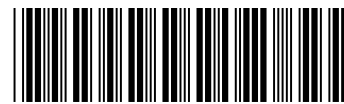


RENSON® reserves the right to make technical changes to the products shown. The latest brochures may be downloaded from www.renson.eu

RENSON® Export Department • Tel. +32 (0)56 62 71 04 • export@renson.net

N.V. RENSON® Sunprotection-Projects S.A
Maalbeekstraat 6 • IZ 2 Vijverdam • B-8790 Waregem • Belgium
Tel. +32 (0)56 62 71 07 • Fax +32 (0)56 62 71 47
projects@renson.be • www.renson.eu

RENSON® Fabrications LTD
Fairfax Units 1-5 • Bircholt Road • Parkwood Industrial Estate • Maidstone • Kent ME15 9SF
Tel. 01622/754123 • Fax 01622/689478
info@rensonuk.net • www.renson.eu



Creating healthy spaces