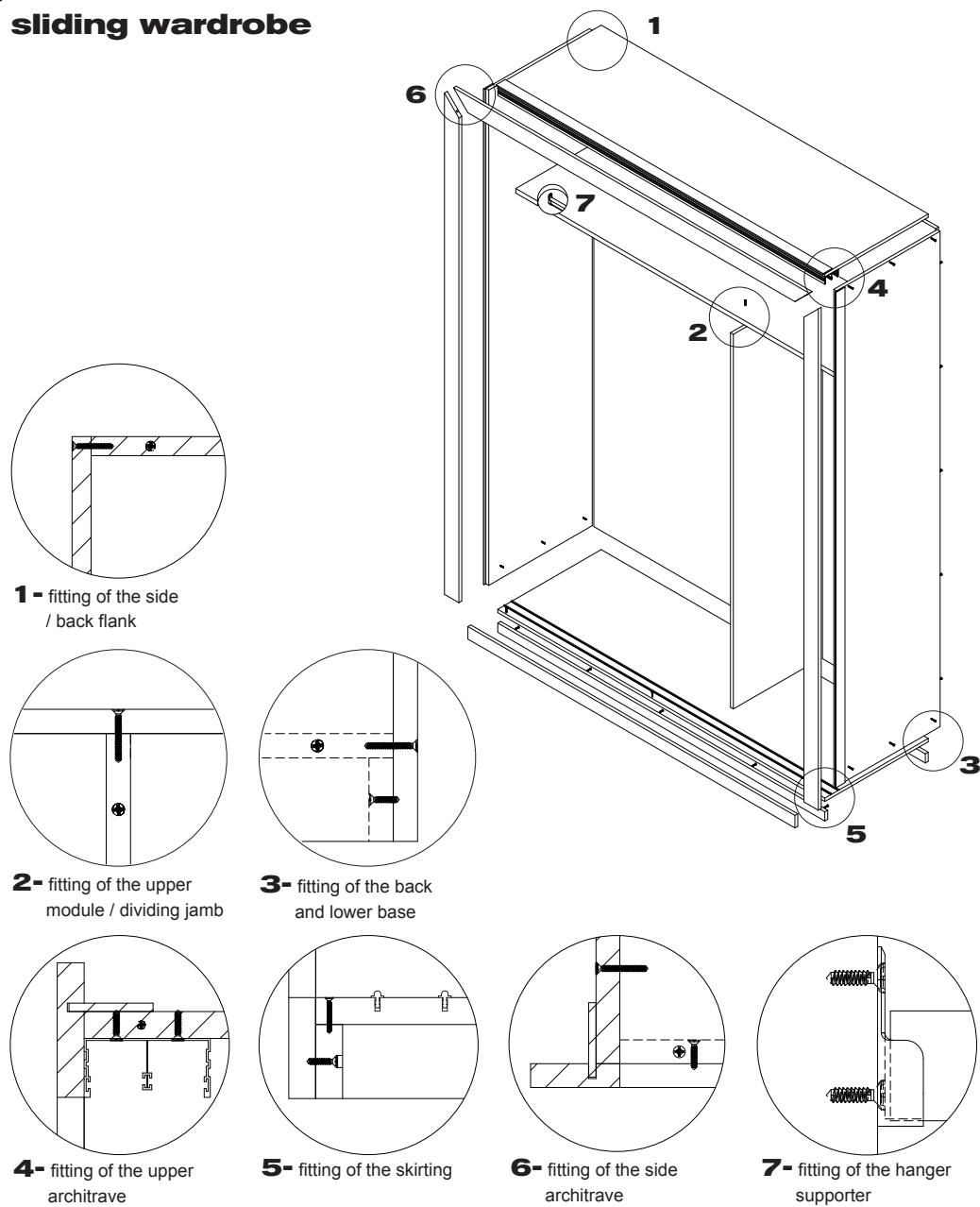


## sliding wardrobe



**TO OBTAIN MORE DETAILED INFORMATION, PLEASE CONTACT:**

VICAIMA Ltd - Drakes Way Business Centre.  
 Marlowe Avenue. Greenbridge Ind. Est.  
 Swindon. Wiltshire SN3 3JF  
 T - 01793 532333 • F - 01793 530193 • E - info@vicaima.com

[WWW.VICAIMA.COM](http://WWW.VICAIMA.COM)

# WARDROBE ASSEMBLY INSTRUCTIONS

step by step



DEZ 2012

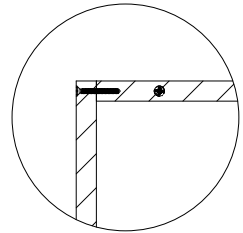
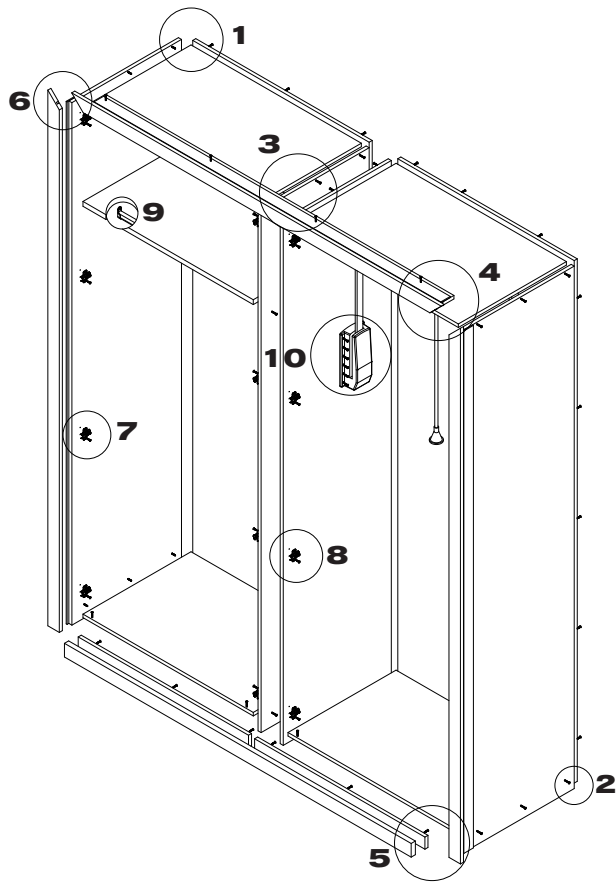


**ATTENTION:** Being a fully finished product, its assembly should not be started before the completion of all the interior decorating, flooring, window panes and glass, electrical installation, sanitary ware and wall painting.

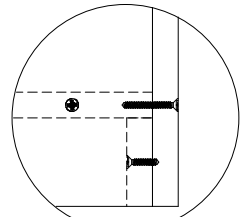
The transportation and movement of the materials should be carried out with maximum care, in order not to cause any damage.

vicaima

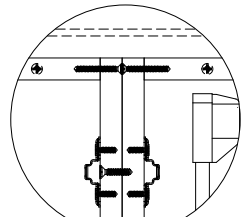
## opening wardrobe



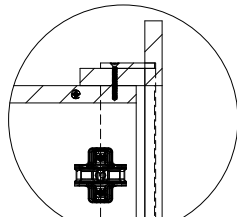
**1-** fitting of the side flank / top panel



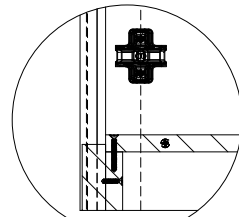
**2-** fitting of the back and lower base



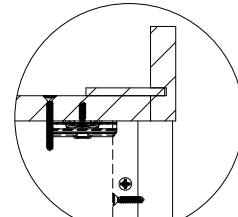
**3-** fitting of the flanks in the models joints



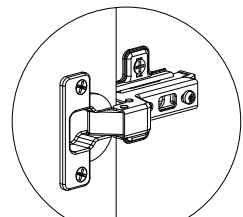
**4-** fitting of the upper architrave



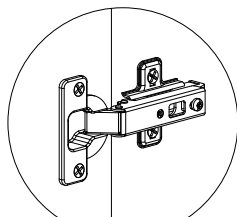
**5-** fitting of the skirting



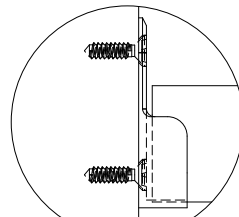
**6-** fitting of the side architrave



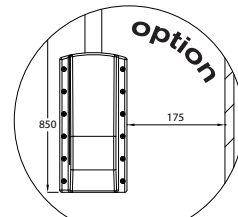
**7-** fitting of the rounded hinge



**8-** fitting of the straight hinge

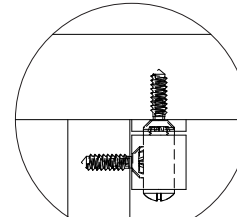
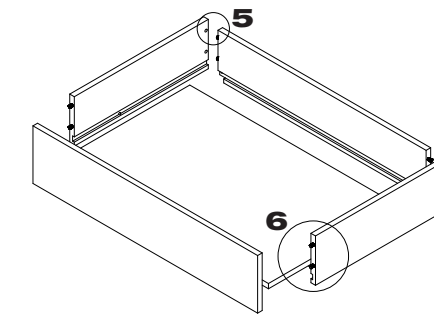
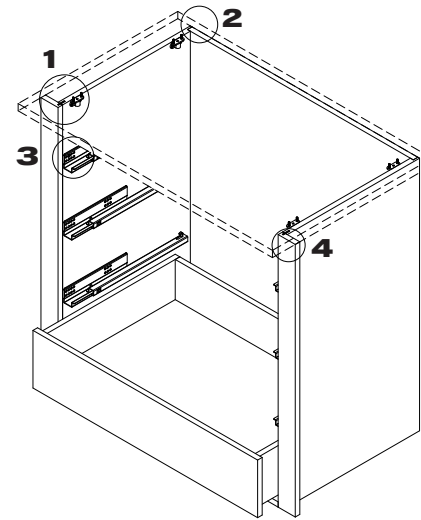


**9-** fitting of the hanger supporter

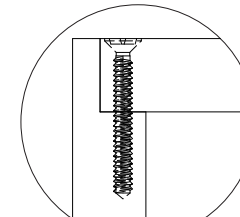


**10-** fitting of the elevating hanger

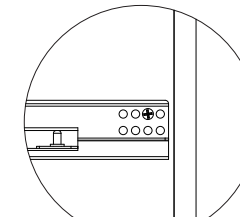
## drawer module



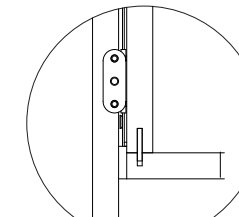
**1-** fitting of the flanks / top panel



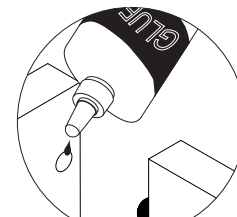
**2-** fitting of the back



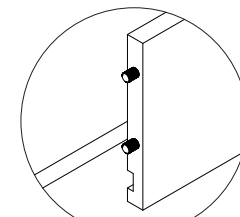
**3-** fitting of the invisible slide



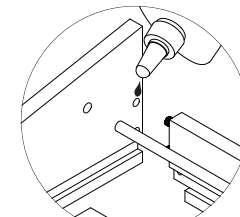
**4-** fitting of the profile



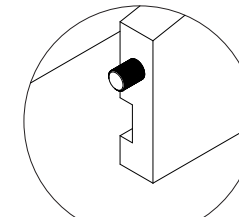
**5-** glue drawer profiles



**6-** glue drawer front

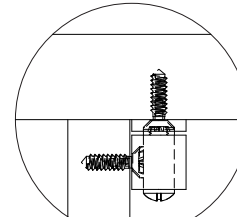
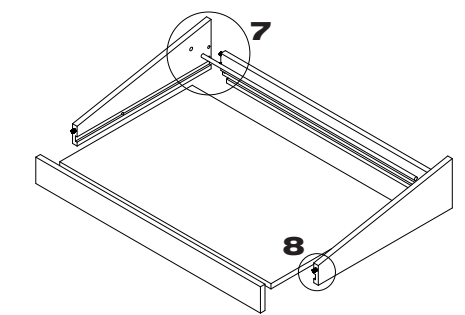
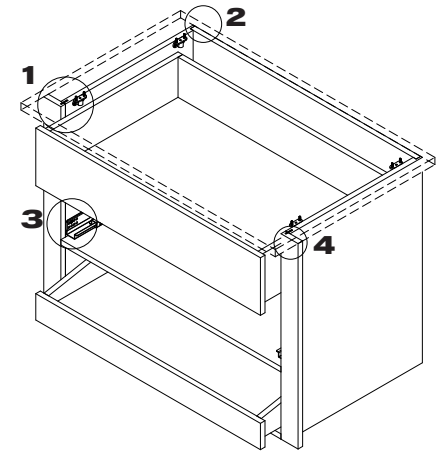


**7-** glue shoe shelf profiles

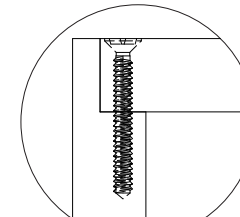


**8-** glue shoe shelf front

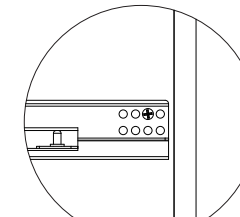
## deep drawer + shoe shelf



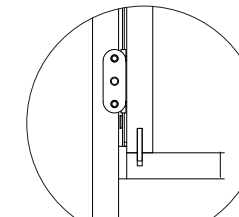
**1-** fitting of the flanks / top panel



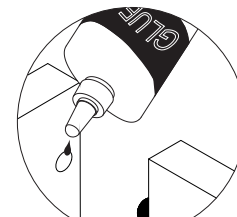
**2-** fitting of the back



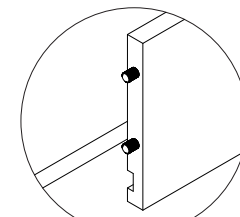
**3-** fitting of the invisible slide



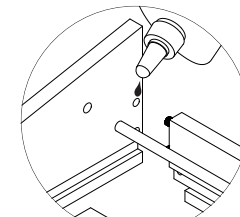
**4-** fitting of the profile



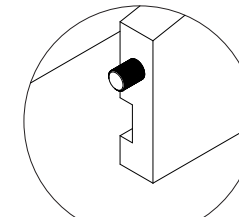
**5-** glue drawer profiles



**6-** glue drawer front



**7-** glue shoe shelf profiles



**8-** glue shoe shelf front